

HYVA CYLINDER



715 04 250

Front end cylinder with outer cover

type

FC 129-3-04270-000A-K0343

tipping weight

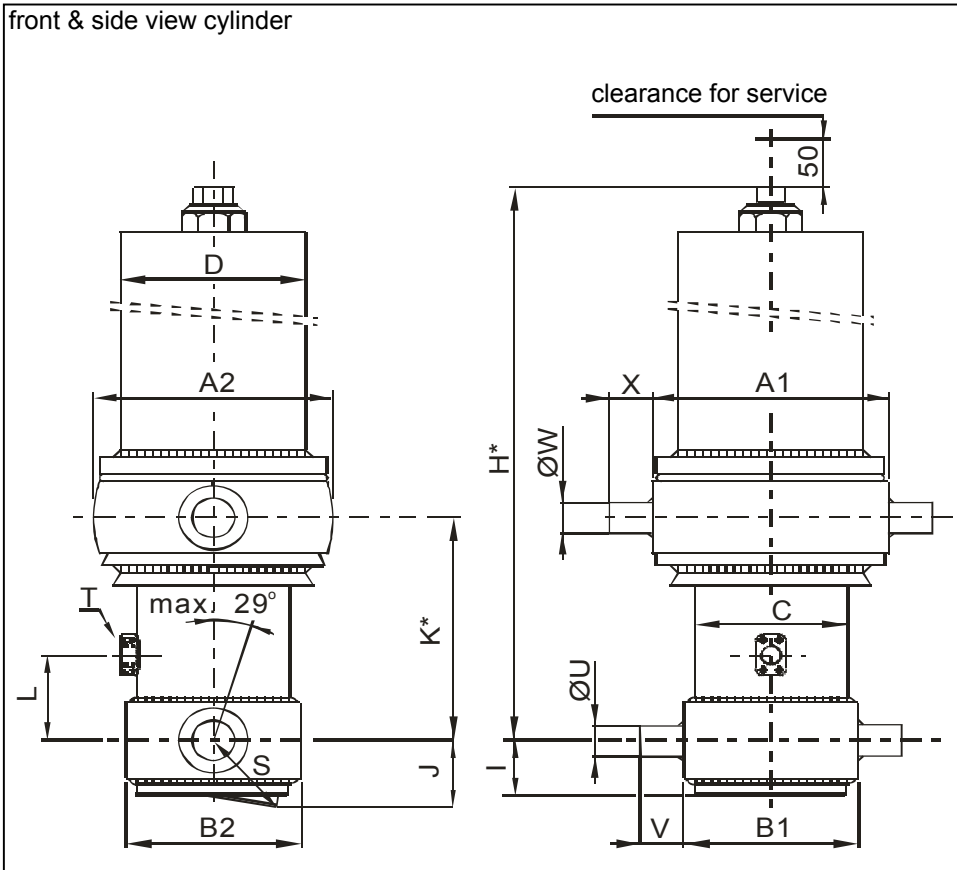
34-62 ton

page # 1 / 2

closed length (K)

338-373 mm

front & side view cylinder



	1	2	
A	340	300	mm
B	201	180	mm
C	149		mm
D	219		mm
E			mm
F			mm
G*			mm
H*	1774		mm
I	60		mm
J	91		mm
K*	343		mm
L	190		mm
M*			mm
N			mm
O			mm
P			mm
Q			mm
R			mm
S	106		mm
T	1" SAE		
U	60		mm
V	65		mm
W	60		mm
X	65		mm
Y			mm
Z			mm

*incl.20[-5;30] pull out on piston

specifications

weight cylinder only	229 kg
total volume	46 L
working volume	42 L
maximum pressure	190 bar
maximum pump flow	137 L/min
maximum cylinder angle to front	10 °
maximum thrust first stage**	25 ton

**when cyl. mounted at a large angle, thrust first stage may become too high: see Hyva Tipper Program

technical notes

This cylinder is a lifting device only and may not be used as structural member or be subject to side load. Working pressure depends on application; never exceed maximum pressure. Cylinder painted with Akzo Air drying Enamel (RAL9005). Max duration of extension 2 hours (excluded HC). See mounting instruction CYL-0019. See oil specification sheet OIL-0002. See bracket specification sheet 015BRA01.

extension	1	2	3	4	5	6	7	8	9	
effective diameter [mm]	129	110	91							total
stroke [mm]	1410	1430	1430							4270

tipping weight

tipping weight at maximum pressure of 190 bar and C is 178 mm

BL (body length); OH (rear overhang); Ycog (vert. pos. centre of gravity); Qo (pivot length); C (bracket length); At = stroke x 60 / Qo	BL	5700			5500			5300		
	OH	200	500	800	200	500	800	200	500	800
At	44	47	50	46	49	52	48	51	55	
Ycog	600	34	38	43	35	39	45	36	41	48
	900	37	42	49	38	43	52	39	46	57
	1200	40	46	56	41	49	62	43	52	

Subject to change without notice.

DO-E 71504250 / 05-07-21 / RV AA

HYVA CYLINDER



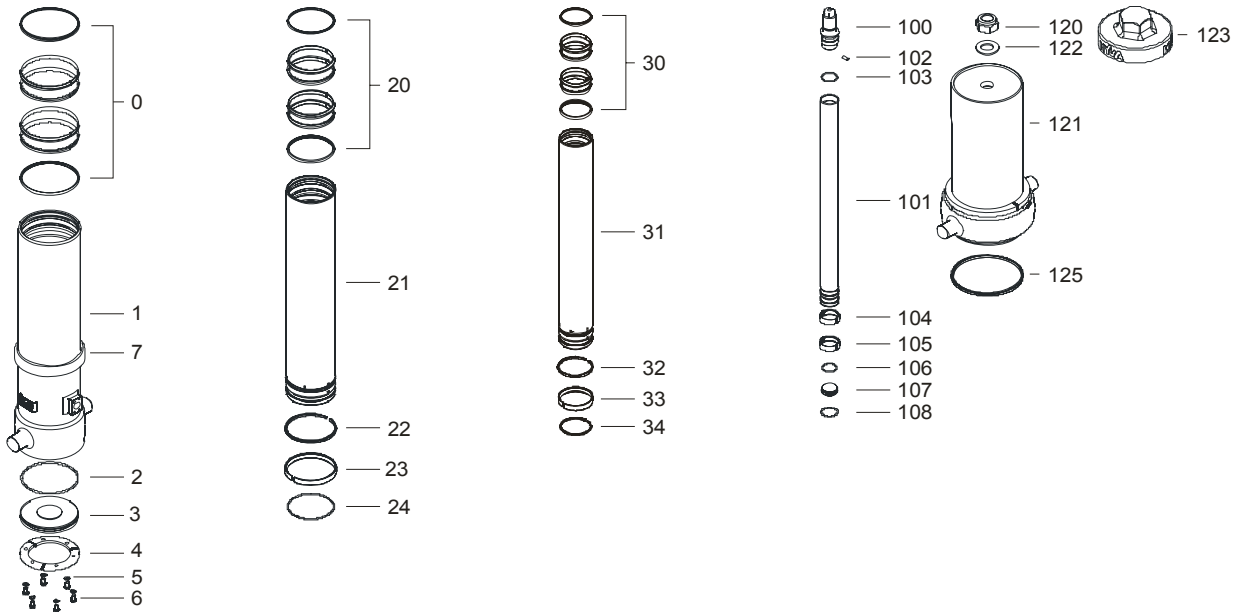
715 04 250

Front end cylinder with outer cover

type

FC 129-3-04270-000A-K0343

page # 2 / 2



Spare part list

Pos Part no. Description Qty.

Pos	Part no.	Description	Qty.
0	71802149 K	PACKSET 149	01
1	72505650 *	BASE 149-1689-4/4SAE-190	01
2	71870030	O-RING BOTTOM PLATE 149	01
3	71821149	BOTTOM PLATE 149	01
4	71820149 K	LOCKING PLATE 149	03
5	01732559 K	SPRING WASHER M8	06
6	01732055 K	BOLT M8 X 1.25 X 20	06
7	71840520 *	ANTI RATTLE RING 149 FOR COVER 219	01

20	71802129 K	PACKSET 129	01
21	72604650	STAGE 129-1650	01
22		NOT APPLICABLE	00
23	71807129 K	SLIDER 129 (2 X 1/2)	02
24	71812129 K	LIFTRING 129	01

30	71802110 K	PACKSET 110	01
31	72603650	STAGE 110-1650	01
32		NOT APPLICABLE	00
33	71807110 K	SLIDER 110 (2 X 1/2)	02
34	71812110 K	LIFTRING 110	01

Spare part list

Pos Part no. Description Qty.

100	71531091	PISTON HEAD 091 MACHINED	01
101	72402651	PISTON S 091-1655-HC	01
102	71875010 K	PIN ROUND HEAD GROOVED	01
103	71870115	O-RING PISTON TOP 091	01
104	71807091 K	SLIDER 091 (2 X 1/2)	01
105	71807091 K	SLIDER 091 (2 X 1/2)	01
106	71870215	O-RING PISTON BOTTOM 091	01
107	71822091	BOTTOM PLATE PISTON 091	01
108	71814091	SNAPRING FOR PISTON 091	01

120	01702907	TOPNUT M48x3	01
121	71705632	COVER 219-1445	01
122	01702956	WASHER M48	01
123	01702973	DUST COVER FOR COVER 219	01
125	01791930	O-RING COVER D219	01

Seal kit complete:

Part no. Description

71901430 K	Seal kit complete: consists of all packsets with packset grease and O-rings
------------	-----------------------------------------------------------------------------------

NOTE :

* Specify part number of cylinder when ordering a spare base with a spare anti rattle ring