

HYVA CYLINDER



715 05 404

Front end cylinder with outer cover

type

FC 149-4-05180-070A-K0343

tipping weight

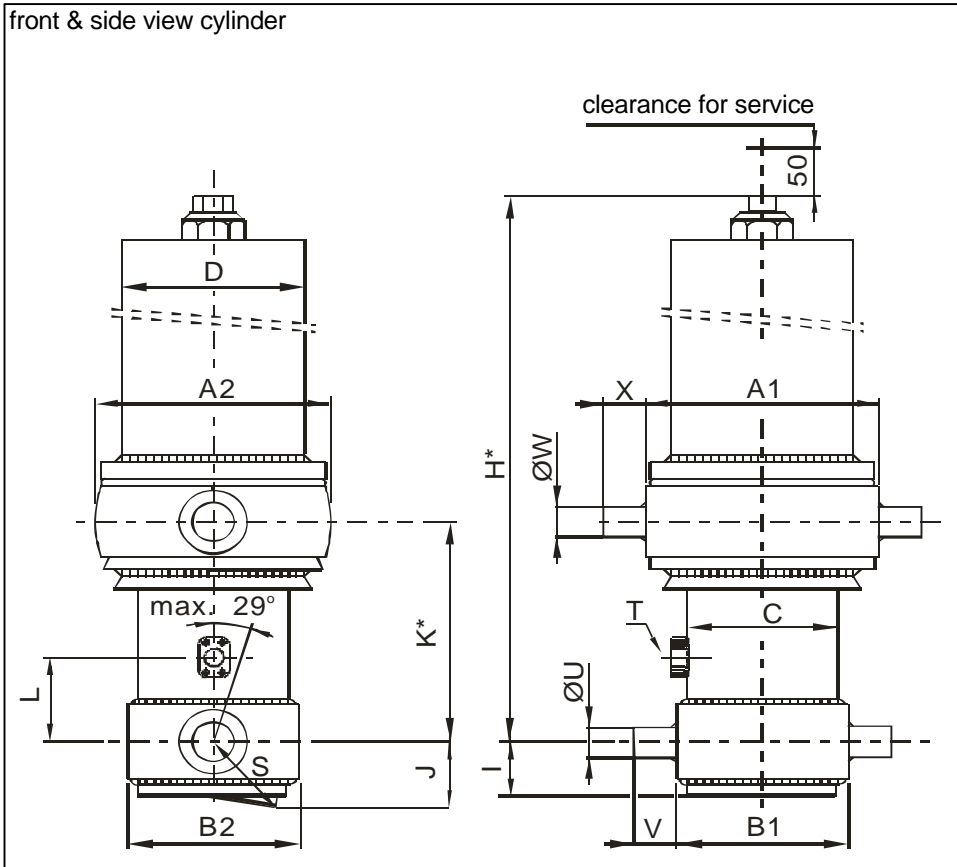
34-68 ton

page # 1 / 2

closed length (K)

338-373 mm

front & side view cylinder



	1	2	
A	340	329	mm
B	201	201	mm
C	169		mm
D	242		mm
E			mm
F			mm
G*			mm
H*	1634		mm
I	60		mm
J	96		mm
K*	343		mm
L	190		mm
M*			mm
N			mm
O			mm
P			mm
Q			mm
R			mm
S	114		mm
T	1" SAE		
U	60		mm
V	65		mm
W	60		mm
X	65		mm
Y			mm
Z			mm

*incl.20[-5;30] pull out on piston

specifications

weight cylinder only	270 kg
total volume	66 L
working volume	61 L
maximum pressure	190 bar
maximum pump flow	137 L/min
maximum cylinder angle to front	10 °
maximum thrust first stage**	30 ton

**when cyl. mounted at a large angle, thrust first stage may become too high: see Hyva Tipper Program

technical notes

This cylinder is a lifting device only and may not be used as structural member or be subject to side load. Working pressure depends on application; never exceed maximum pressure. Cylinder painted with Akzo Air drying Enamel (RAL9005). Max duration of extension 2 hours (excluded HC). See mounting instruction CYL-0019. See oil specification sheet OIL-0002. See bracket specification sheet 015BRA01.

extension	1	2	3	4	5	6	7	8	9	
effective diameter [mm]	149	129	110	91						total
stroke [mm]	1280	1300	1300	1300						5180

tipping weight

tipping weight at maximum pressure of 190 bar and C is 229 mm

BL (body length); OH (rear overhang); Ycog (vert. pos. centre of gravity); Qo (pivot length); C (bracket length);	BL	6900			6550			6200		
	OH	200	500	800	200	500	800	200	500	800
At		44	46	49	47	49	52	49	52	55
Ycog										
600	34	38	42	36	40	45	37	42	49	
900	37	41	46	39	44	51	41	47	57	
1200	40	45	52	42	49	58	46	54	68	

Subject to change without notice.

DO-E 71505404 / 05-03-17 / RV AB

HYVA CYLINDER



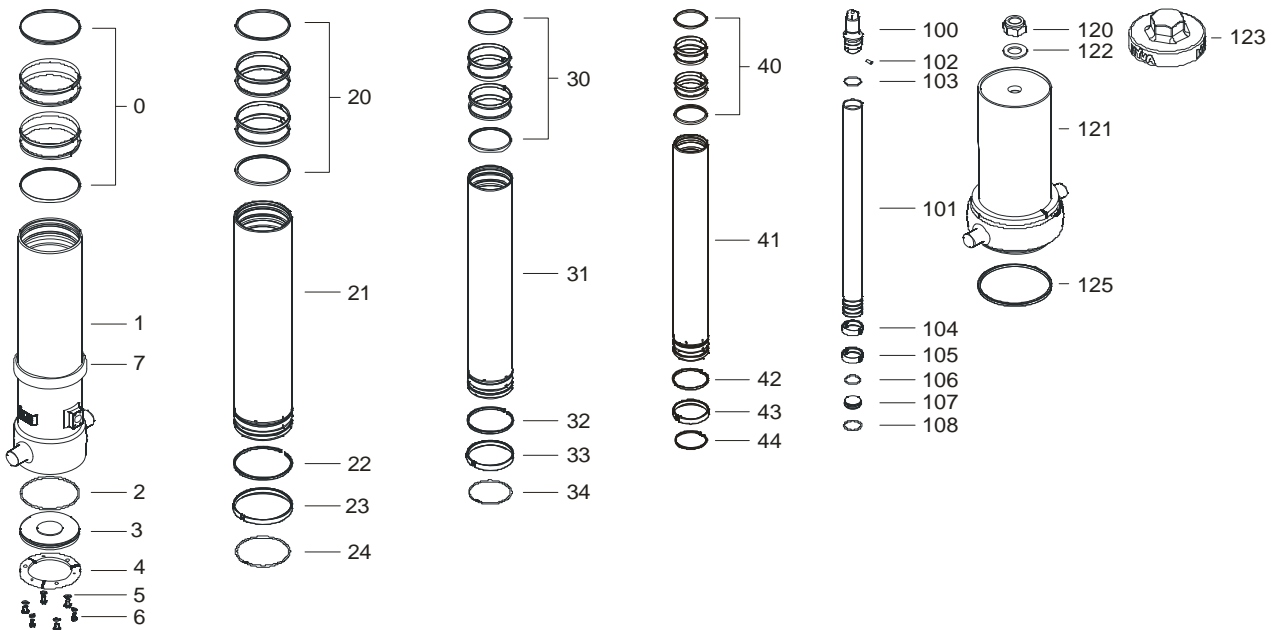
715 05 404

Front end cylinder with outer cover

type

FC 149-4-05180-070A-K0343

page # 2 / 2



Spare part list

Pos	Part no.	Description	Qty.
0	71802169 K	PACKSET 169	01
1	72506511 *	BASE 169-1559-4/4SAE-190-90	01
2	71870035	O-RING BOTTOM PLATE 169	01
3	71821169	BOTTOM PLATE 169	01
4	71820169 K	LOCKING PLATE 169	03
5	01732559 K	SPRING WASHER M8	06
6	01732055 K	BOLT M8 X 1.25 X 20	06
7	71840620 *	ANTI RATTLE RING 169 FOR COVER 242	01
20	71802149 K	PACKSET 149	01
21	72605510	STAGE 149-1520	01
22	71811149 K	OUTER STOPPING 149	01
23	71807149 K	SLIDER 149	01
24	71812149 K	LIFTRING 149	01
30	71802129 K	PACKSET 129	01
31	72604510	STAGE 129-1520	01
32		NOT APPLICABLE	00
33	71807129 K	SLIDER 129 (2 X 1/2)	02
34	71812129 K	LIFTRING 129	01

Spare part list

Pos	Part no.	Description	Qty.
40	71802110 K	PACKSET 110	01
41	72603510	STAGE 110-1520	01
42		NOT APPLICABLE	00
43	71807110 K	SLIDER 110 (2 X 1/2)	02
44	71812110 K	LIFTRING 110	01
100	71531091	PISTON HEAD 091 MACHINED	01
101	72402511	PISTON S 091-1525-HC	01
102	71875010 K	PIN ROUND HEAD GROOVED	01
103	71870115	O-RING PISTON TOP 091	01
104	71807091 K	SLIDER 091 (2 X 1/2)	01
105	71807091 K	SLIDER 091 (2 X 1/2)	01
106	71870215 K	O-RING PISTON BOTTOM 091	01
107	71822091	BOTTOM PLATE PISTON 091	01
108	71814091 K	SNAPRING FOR PISTON 091	01
120	01702907	TOPNUT M48x3	01
121	71706538	COVER 242-1325	01
122	01702956	WASHER M48	01
123	01702972	DUST COVER FOR COVER 242	01
125	01791941	O-RING COVER D242	01

Seal kit complete:

Part no.	Description
71901540 K	Seal kit complete: consists of all packsets with packset grease and O-rings

NOTE :

* Specify part number of cylinder when ordering a spare base with spare anti rattle ring.