

# HYVA OIL TANKS



## SIDE MOUNTED TANK

Hyva

type :

SM - 147L/119L - MP

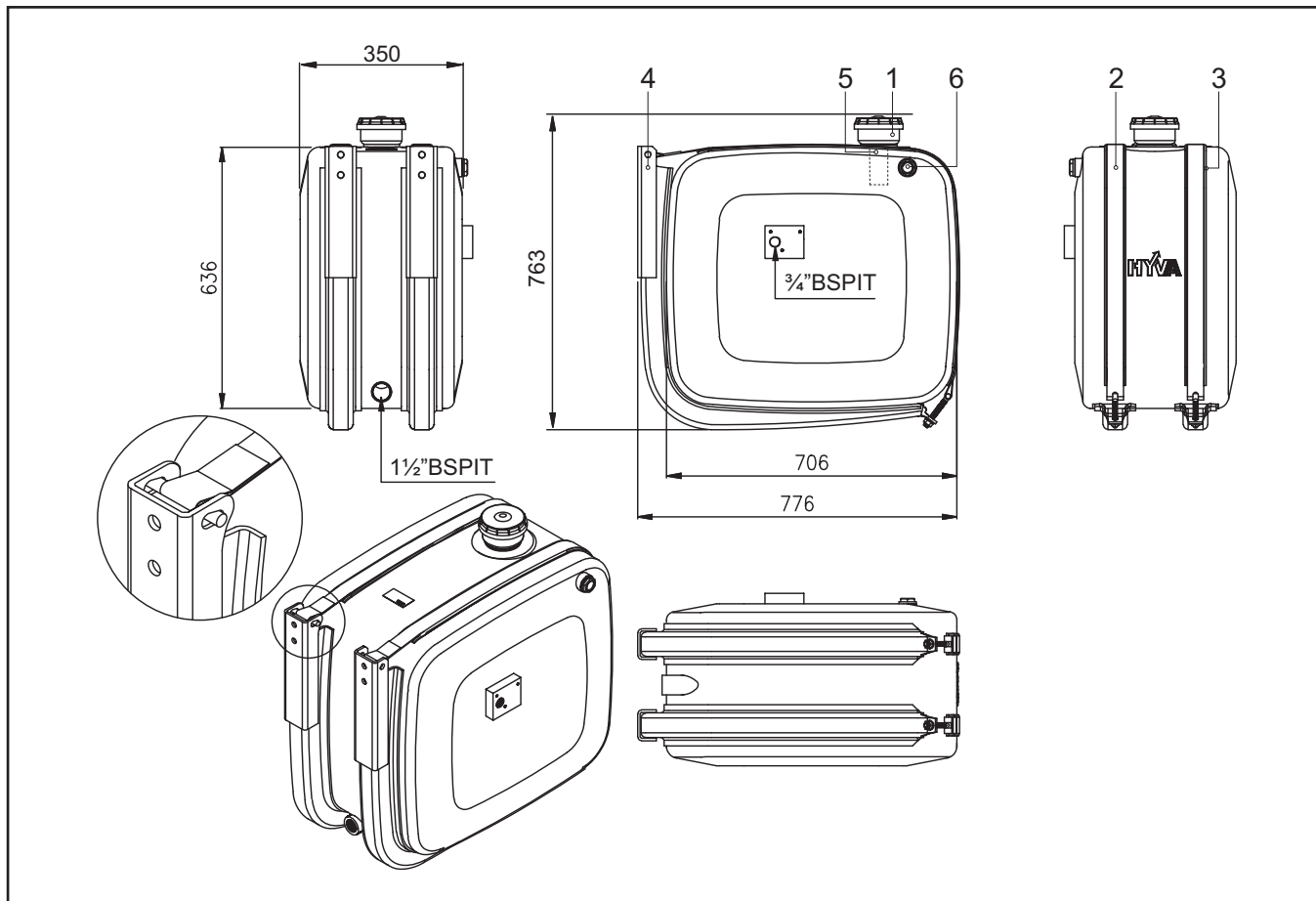
part number tank :

140 17 100

Page 1 / 1

working volume :

119 liters



### Part list

| Pos. | Part no.   | Description                   | Qty. |
|------|------------|-------------------------------|------|
| 1    | 081 02 116 | air breather filter           | 1    |
| 2    | 140 20 100 | straps                        | 2    |
| 3    | 140 20 118 | kit for two supports 14020120 | 1    |
| 4    | 140 20 120 | tank support                  | 2    |

### Spare Parts

| Pos. | Part no.   | Description        | Qty. |
|------|------------|--------------------|------|
| 5    | 081 02 117 | air filter element | 1    |
| 6    | 081 02 121 | spy glass          | 1    |

### General information

#### Pay attention to the following points:

- Mount the tank according the mounting instructions.
- Fill the tank with the recommended hydraulic oil to the centre of the spy glass (level indicator).
- Change the oil once a year.
- Replace the oil filter and air breather filter twice a year.
- Do not use the tank as a support or to stand on.
- Do not weld to the oil tank.

### Mounting instructions

Before mounting the tank, check carefully whether all openings and connections are free of packaging tape, dirt or particles etc.

- Drill the top hole in the chassis as high as possible.
- Drill a second hole in the chassis according the hole pattern of the support.
- Drill a third hole in the support and chassis at least 150 mm underneath the upper hole.
- Fix each tank support with 3 x M14 8.8 bolts and M14 washers.
- Mount the rubbers on the supports.
- Place the tank on top of the supports. Secure the straps to the top of the supports using the pins provided in the tank mounting kit. Make sure that the bended back-end of the strap (with 5 point welds) is facing upwards. See drawing detail.
- Place the strap rubber under the straps and mount the straps at the bottom of the support using the washers and nuts.
- Torque the straps to 20Nm by turning the bolts.
- Check the bolts for torque after 1000 km.

### Specifications

|                       |          |                            |
|-----------------------|----------|----------------------------|
| Gross volume          | : 147    | Liters                     |
| Working volume        | : 119    | Liters                     |
| Weight tank           | : 29     | kg                         |
| Weight single support | : 10     | kg                         |
| Connections           | : 1 1/2" | BSPIT suction              |
|                       | : 3/4"   | BSPIT mounting plate valve |