

RETURN LINE FILTER

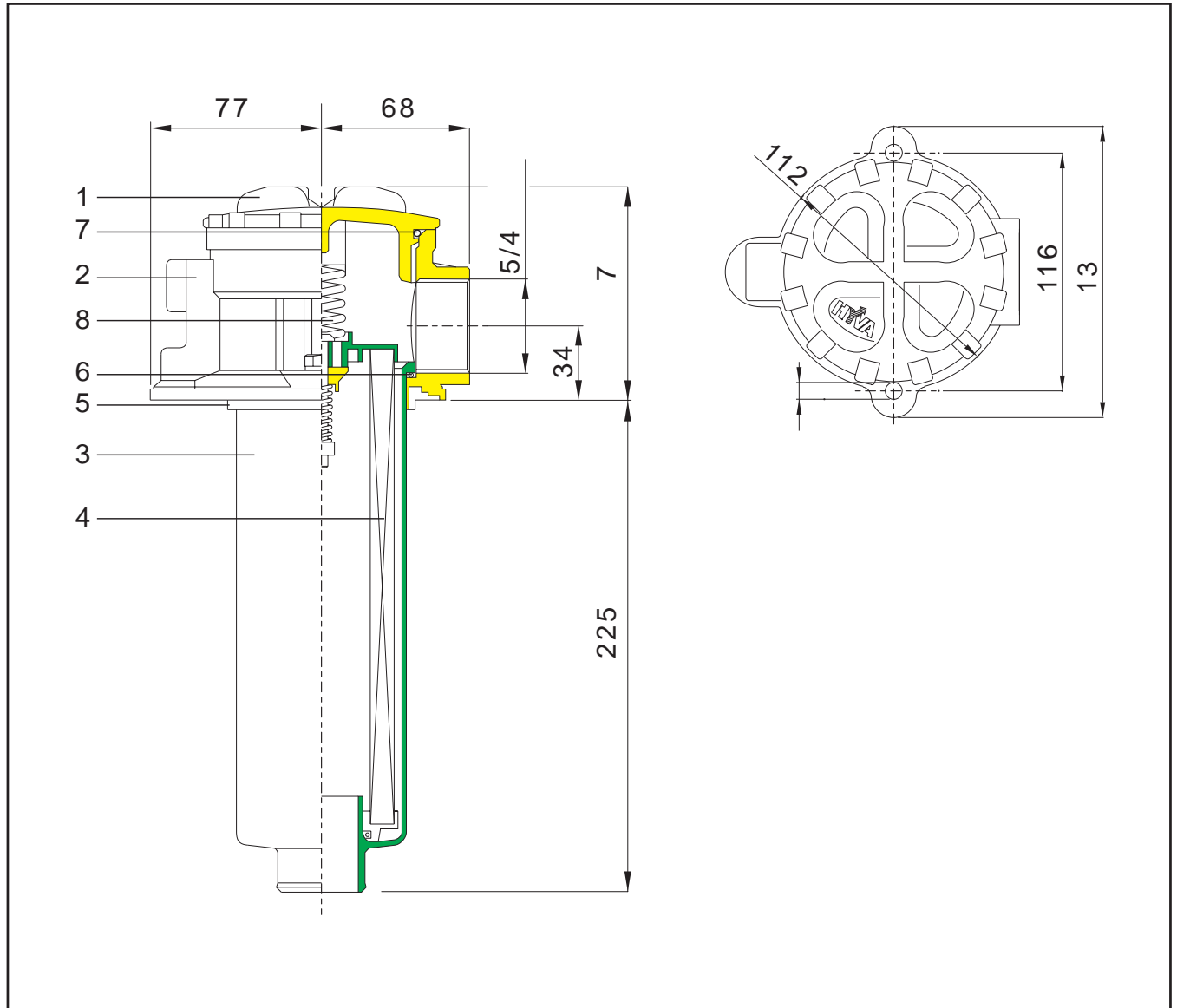


Hyva

type :
part number:

150 L/min
147 80 306

page # 1 / 1



specifications

nominal flow	: 150 L/min (clean element)
peak flow	: 300 L/min
pressure by-pass	: 1.75 bar \pm 10%
collapse pressure element	: 10 bar
filter element	: 25. μ (nominal) - $\beta_{25}=25$
temperature range	: -25° C / + 110° C
dirt holding capacity	: 15 gr. at 2 bar
filter area	: 1730 cm ²

replace oil filter twice a year

spare part list

147 80 306

pos.	code nr.	description	qty.
1	148 96 905	cover	1
2	148 96 920	body	1
3	148 96 928	flange pipe	1
4	148 96 991 A	filter element	1
5,6,7	148 96 950	seal kit consisting of	1
5		flange seal	1
6		O-ring	1
7		O-ring	1
8	148 96 980	spring	1