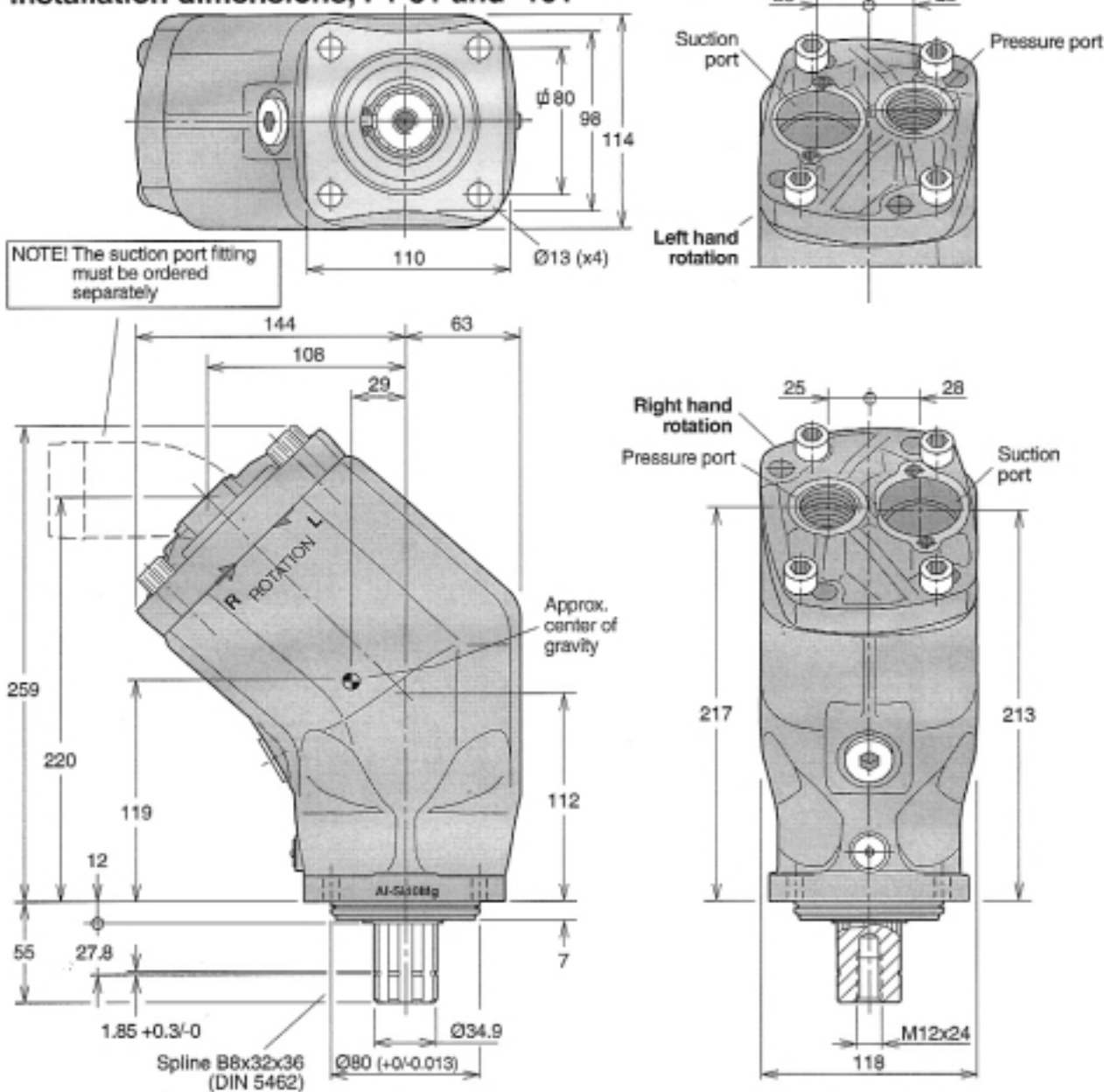


Installation dimensions, F1-81 and -101



3

Port size

F1 frame size	Pressure port ¹⁾
-25	3/4"
-41	3/4"
-51	3/4"
-61	3/4"
-81	1"
-101	1"

1) BSP thread (fitting not included)

Standard versions

Designation	Ordering no.
F1-81-R	378 1080
-L	378 1081
F1-101-R	378 1100
-L	378 1101

NOTE: The F1 pump **does not** include a suction fitting; it must be ordered separately. See chapter 9.