

HYVA TIPPING VALVE KIT

KIT ER 250 WITH OPTIONS

Hyva

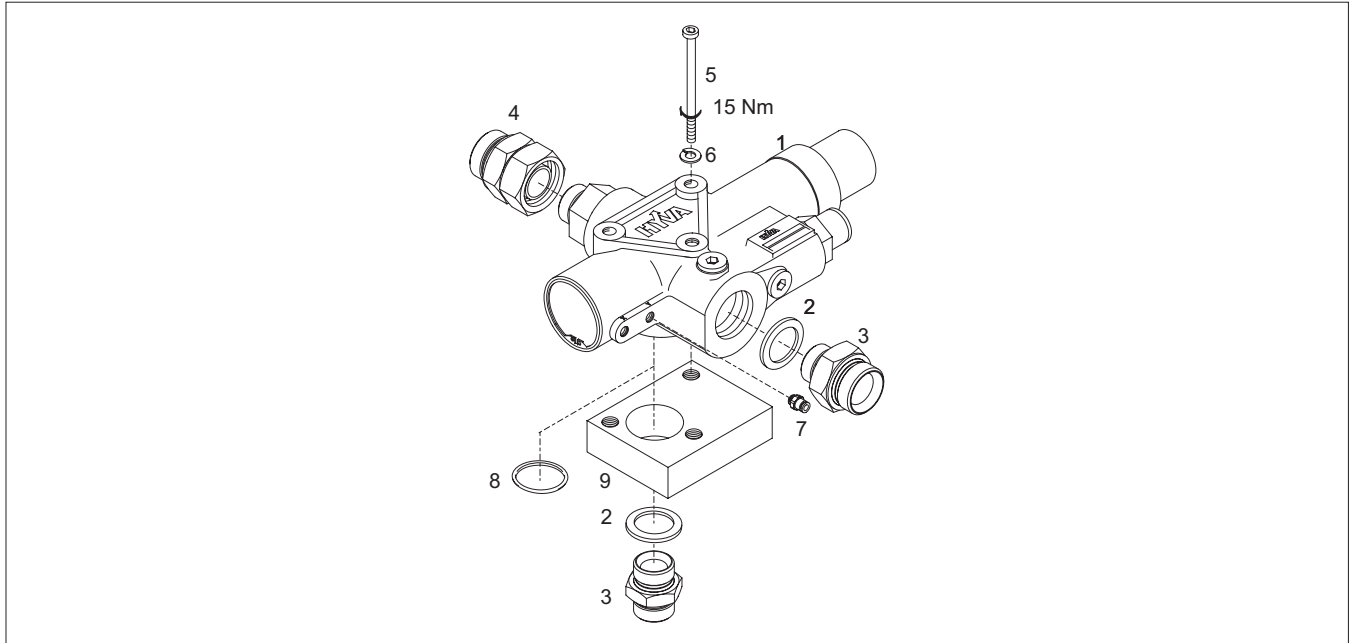
kit :

tipping valve PT 1140 - 250 bar

page # 1 / 1

kit number :

ER 250



tipping valve PT 1140 - 250 bar			ER 250 AC
pos.	code no.	description	qty.
1	147 08 260 H	tipping valve PT 1140 250 bar	1
2	012 06 850	bonded seal 3/4"	1
3	147 99 080	adapter 3/4" BSPOT - 1" BSPOT	1
4	012 22 660	adapter 3/4"BSPIT - 1" BSPOT	1
147 35 395 mounting kit for PT 1140-valve contains:			
5	150 13 650	bolt	3
6	150 22 020	washer	3
7	148 10 517	air coupling	2
8	012 25 601	O-ring	1
mounting position		: tank mounted	
hose connection		: adapters straight - 1"	

tipping valve PT 1140 - 250 bar			ER 250 BC
pos.	code no.	description	qty.
1	147 08 260 H	tipping valve PT 1140 250 bar	1
2	012 06 850	bonded seal 3/4"	2
3	147 99 080	adapter 3/4" BSPOT - 1" BSPOT	2
4	012 22 660	adapter 3/4"BSPIT - 1" BSPOT	1
147 35 398 mounting kit for PT 1140-valve contains:			
5	150 13 650	bolt	3
6	150 22 020	washer	3
7	148 10 517	air coupling	2
9	147 35 210	chassis mounting plate	1
mounting position		: chassis mounted	
hose connection		: adapters straight - 1"	