

# HYVA TIPPING VALVE KIT

## KIT ES & ET KITS WITH OPTIONS

Hyva

kit : tipping valve DME 26 kits for 1/2" H.P. hoses

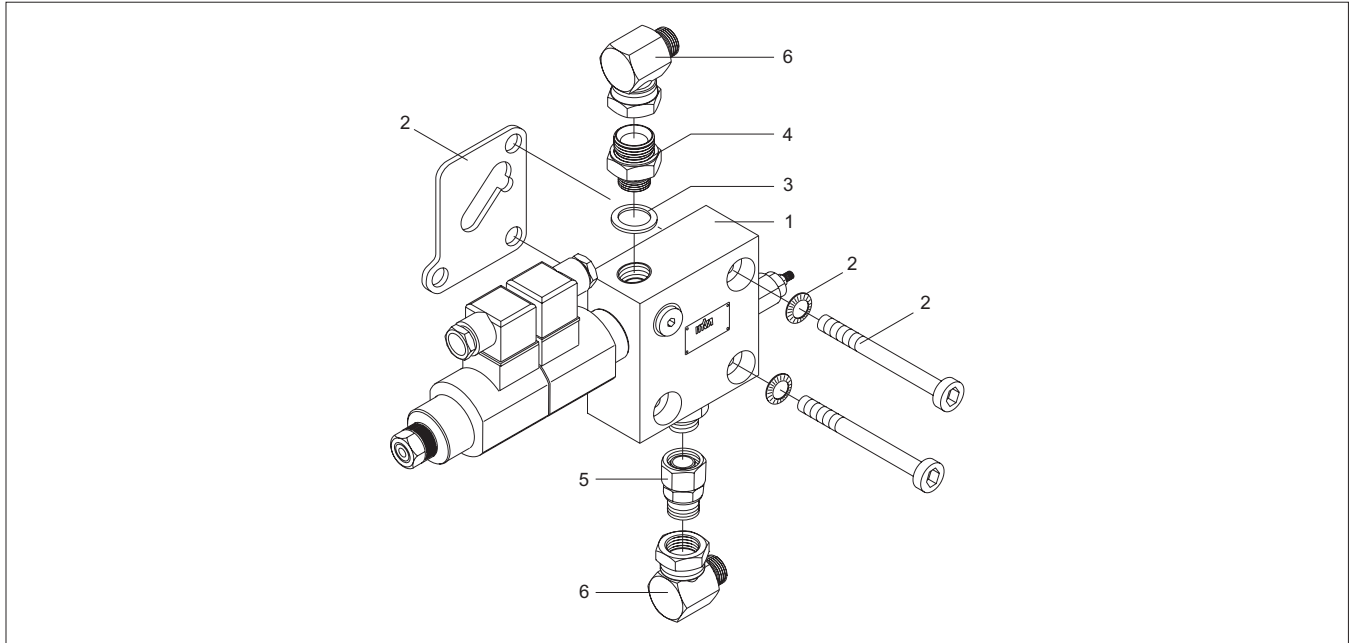
mounting position :

tank mounted

page # 1 / 1

kit number :

ES & ET kits



### DME valve range

pos.	code no.	description	kit no.
1	147 00 090	tipping valve DME 26 12V-135 bar	ET135
1	147 00 093 H	tipping valve DME 26 12V-180 bar	ET180
1	147 00 095 H	tipping valve DME 26 24V-135 bar	ES135
1	147 00 105 H	tipping valve DME 26 24V-180 bar	ES180

### Explanation of codes

Option A	tank(block) mounted
Option C	hose connections 0°
Option D	hose connections 90°

### Example:

When a 135 bar pressure 24V DME-valve tank mounted with 90° connections for 1/2" high pressure hoses is needed. Find the corresponding valve in the DME valve range and look for the kit number. In this case **ES 135**. Add an **A** for tank mounted and a **D** for the 90° adaptors

The required kit is : **ES 135 AD**

### Tipping valve DME tank mounted option AC

pos.	code no.	description	qty.
1		tipping valve DME 26	1
2	147 08 069 H	mounting kit DME valve on tank	1
3	012 06 825	bonded seal 3/8"	1
4	013 17 805	adapter 3/8" BSPOT - 1/2" BSPOT	1
5	012 23 640	adapter 3/8" BSPIT - 1/2" BSPOT	1

mounting position : tank mounted  
hose connection : adapters straight for 1/2" H.P. hose

### Tipping valve DME tank mounted option AD

pos.	code no.	description	qty.
1		tipping valve DME 26	1
2	147 08 069 H	mounting kit DME valve on tank	1
3	012 06 825	bonded seal 3/8"	1
4	013 17 805	adapter 3/8" BSPOT - 1/2" BSPOT	1
5	012 23 640	adapter 3/8" BSPIT - 1/2" BSPOT	1
6	013 17 970	adapter 90° 1/2" BSPIT - 1/2" BSPOT	2

mounting position : tank mounted  
hose connection : adapters 90° for 1/2" H.P. hose