

HYVA TIPPING VALVE KIT

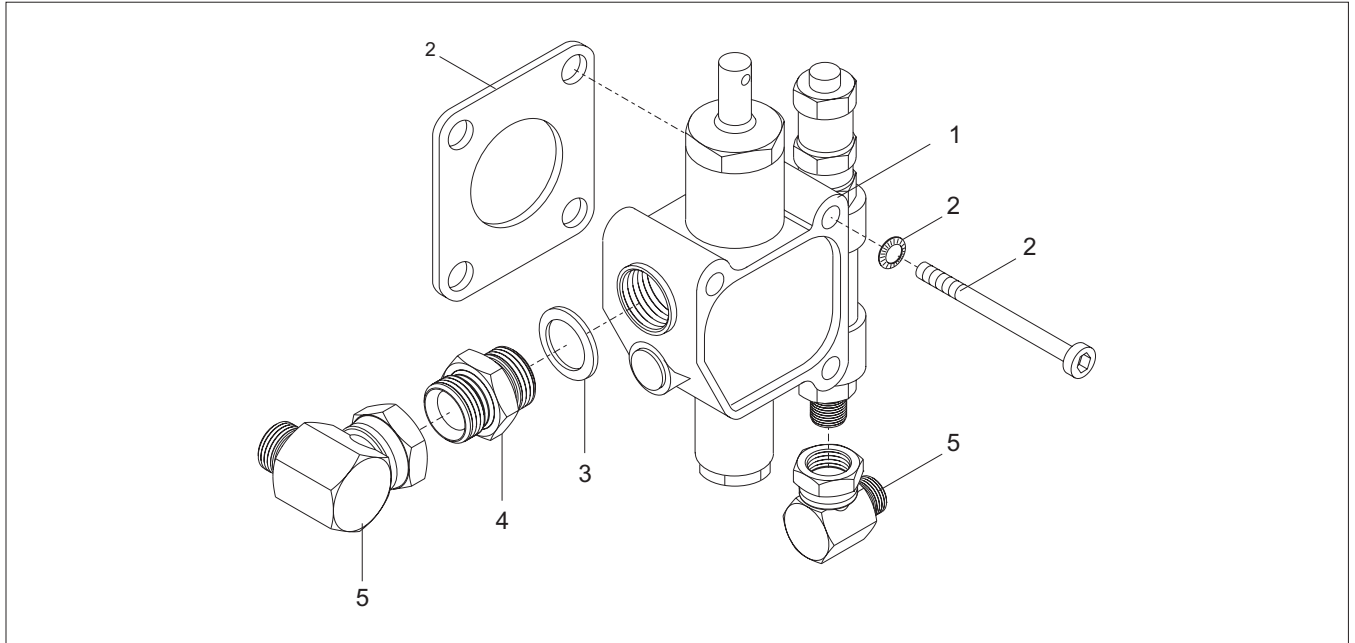
KIT EU KITS WITH OPTIONS

Hyva

kit : tipping valve DMM 40 kits for 1/2" H.P. hoses
 mounting position : tank mounted

page # 1 / 1

kit number : EU kits



DMM valve range

| pos. | code no. | description | kit no. |
|------|--------------|------------------------------|---------|
| 1 | 147 08 710 H | tipping valve DMM 40-130 bar | EU130 |
| 1 | 147 08 725 H | tipping valve DMM 40-160 bar | EU160 |

Explanation of codes

| | |
|----------|----------------------|
| Option A | tank(block) mounted |
| Option C | hose connections 0° |
| Option D | hose connections 90° |

Example:

When a 130 bar pressure DMM 40-valve tank mounted with 90° connections for 1/2" high pressure hoses is needed. Find the corresponding valve in the DMM valve range and look for the kit number. In this case **EU 130**. Add an **A** for tank mounted and a **D** for the 90° adaptors

The required kit is : **EU 130 AD**

Tipping valve DMM tank mounted option AC

| pos. | code no. | description | qty. |
|------|--------------|--------------------------------------|------|
| 1 | | tipping valve DMM 40 | 1 |
| 2 | 019 53 315 H | mounting kit DMM valve on steel tank | 1 |
| 3 | 012 06 837 | bonded seal 1/2" | 1 |
| 4 | 012 21 838 | adapter 1/2" BSPOT - 1/2" BSPOT | 1 |

mounting position : tank mounted
 hose connection : adapters straight for 1/2" H.P. hose

Note:

When mounting this valve on a plastic tank use mounting kit:
 019 53 310 H mounting kit DMM valve on plastic tank 1

Tipping valve DMM tank mounted option AD

| pos. | code no. | description | qty. |
|------|--------------|--------------------------------------|------|
| 1 | | tipping valve DMM 40 | 1 |
| 2 | 019 53 315 H | mounting kit DMM valve on steel tank | 1 |
| 3 | 012 06 837 | bonded seal 1/2" | 1 |
| 4 | 012 21 838 | adapter 1/2" BSPOT - 1/2" BSPOT | 1 |
| 5 | 013 17 970 | adapter 90° 1/2" BSPIT - 1/2" BSPOT | 2 |

mounting position : tank mounted
 hose connection : adapters 90° for 1/2" H.P. hose

Note:

When mounting this valve on a plastic tank use mounting kit:
 019 53 310 H mounting kit DMM valve on plastic tank 1