

HYVA TIPPING VALVE KIT

KIT EW 150 WITH OPTIONS

Hyva

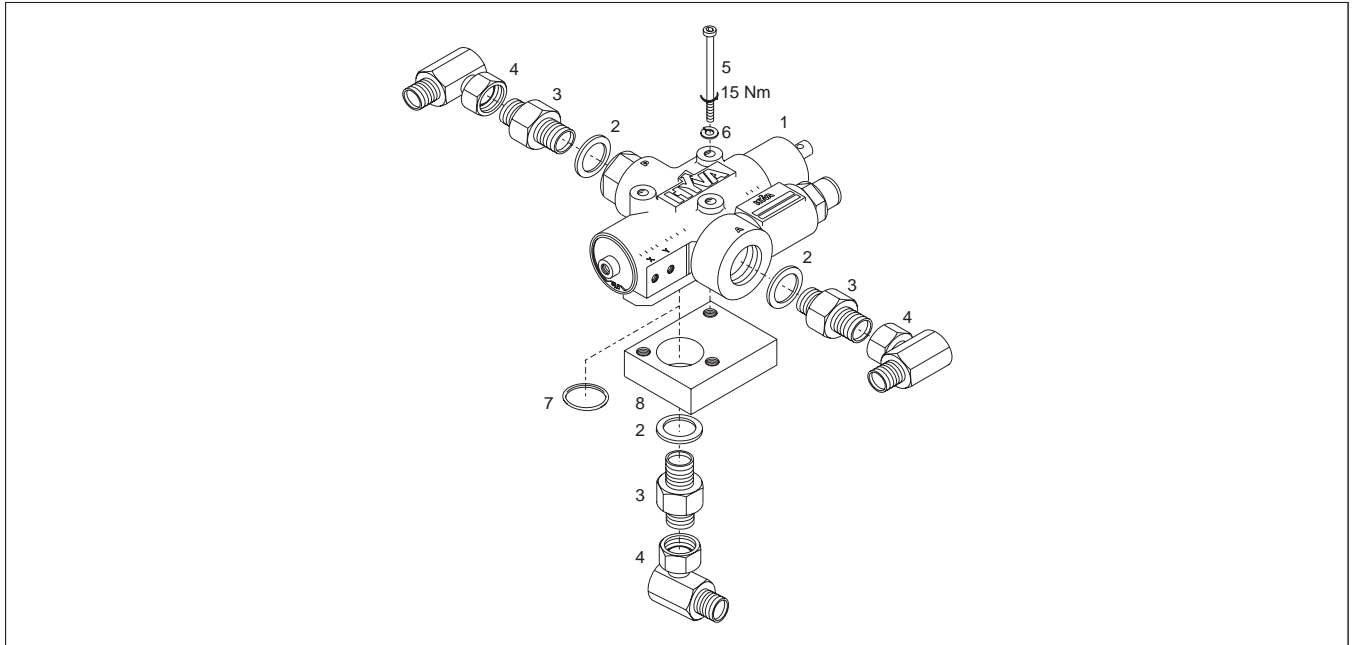
kit :

tipping valve DHMC - 150 bar

page # 1 / 1

kit number :

EW 150



tipping valve DHMC - 150 bar		EW 150 AC	
pos.	code no.	description	qty.
1	147 08 515 H	tipping valve DHMC 150 bar	1
2	012 06 850	bonded seal 3/4"	2
3	012 22 661	adapter 3/4" BSPOT - 3/4" BSPOT	2
147 35 395 mounting kit for DHMC-valve contains:			
5	150 13 650	bolt	3
6	150 22 020	washer	3
7	012 22 601	O-ring	1
mounting position : tank mounted			
hose connection : adapters straight - 3/4"			

tipping valve DHMC - 150 bar		EW 150 AD	
pos.	code no.	description	qty.
1	147 08 515 H	tipping valve DHMC 150 bar	1
2	012 06 850	bonded seal 3/4"	2
3	012 22 661	adapter 3/4" BSPOT - 3/4" BSPOT	2
4	013 17 969	adapter 90° 3/4" BSPIT - 3/4" BSPOT	2
147 35 395 mounting kit for DHMC-valve contains:			
5	150 13 650	bolt	3
6	150 22 020	washer	3
7	012 22 601	O-ring	1
mounting position : tank mounted			
hose connection : adapters 90° - 3/4"			

tipping valve DHMC - 150 bar		EW 150 BC	
pos.	code no.	description	qty.
1	147 08 515 H	tipping valve DHMC 150 bar	1
2	012 06 850	bonded seal 3/4"	3
3	012 22 661	adapter 3/4" BSPOT - 3/4" BSPOT	3
147 35 398 mounting kit for DHMC-valve contains:			
5	150 13 650	bolt	3
6	150 22 020	washer	3
8	147 35 210	chassis mounting plate	1
mounting position : chassis mounted			
hose connection : adapters straight - 3/4"			

tipping valve DHMC - 150 bar		EW 150 BD	
pos.	code no.	description	qty.
1	147 08 515 H	tipping valve DHMC 150 bar	1
2	012 06 850	bonded seal 3/4"	3
3	012 22 661	adapter 3/4" BSPOT - 3/4" BSPOT	3
4	013 17 969	adapter 90° 3/4" BSPIT - 3/4" BSPOT	3
147 35 398 mounting kit for DHMC-valve contains:			
5	150 13 650	bolt	3
6	150 22 020	washer	3
8	147 35 210	chassis mounting plate	1
mounting position : chassis mounted			
hose connection : adapters 90° - 3/4"			